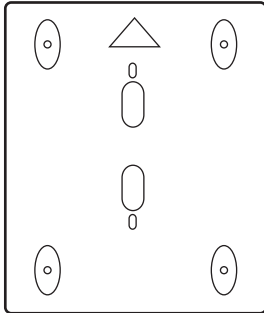




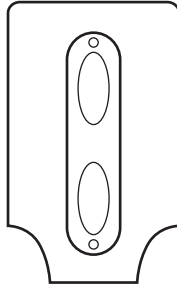
INFLATABLE FOIL BOX MANUAL

SUPPLIES REQUIRED

1 TOP PLATE



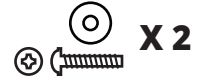
2 FOIL BOX



3 PHILIPS SCREW DRIVER (Not provided)



5 SCREW (M7X28) & WASHER



4 TORX WRENCH

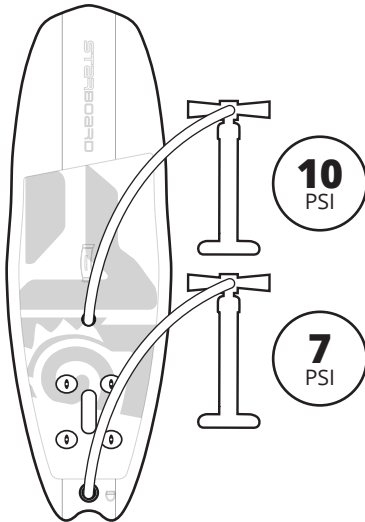


6 TORX SCREW

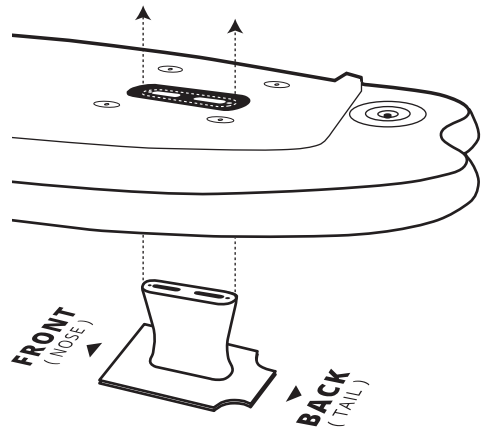


HOW TO INSTALL

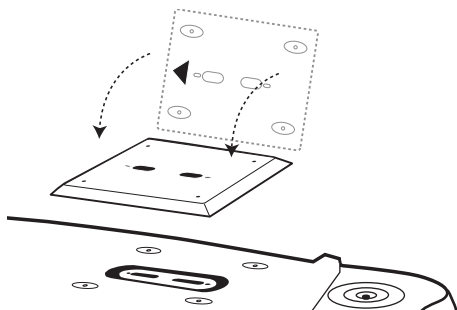
- 1 Inflate internal chamber up to **10 PSI** and main chamber up to **7 PSI**.



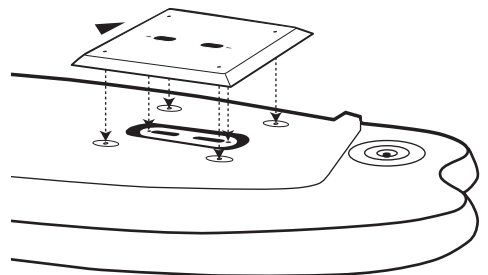
- 2 Insert the foil box into the board.



- 3 Make sure the arrow under the top plate is pointing at the nose of the board. The EVA side is on top.



- 4 Place the top plate on the board. Align the holes.

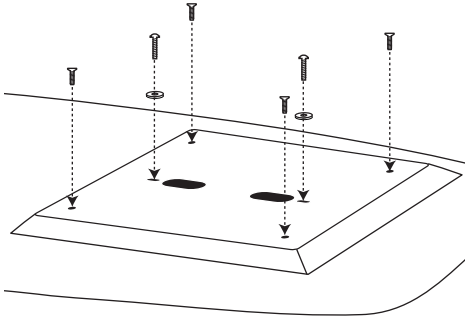


CONTINUE >>>

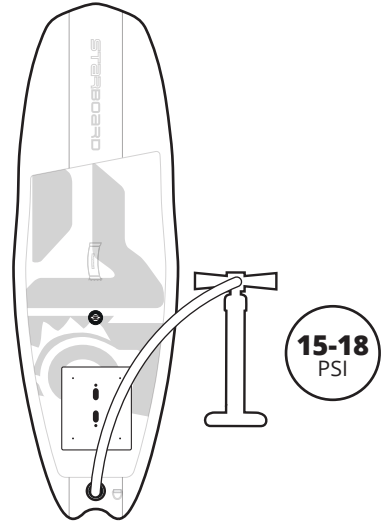


INFLATABLE FOIL BOX MANUAL

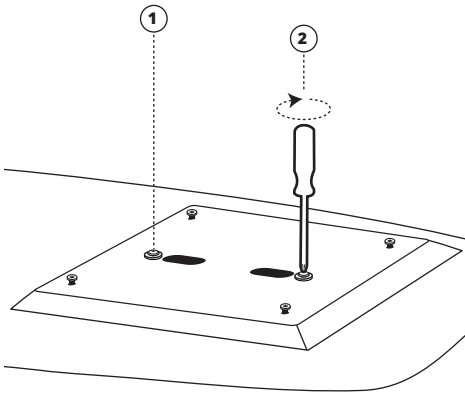
- 5** Assemble all screws in place, but not too tight.



- 6** Inflate the main chamber up to **15-18 PSI**



- 7** Tighten the foil screws with the screw driver.



- 8** Tighten the top plate screws with the torx wrench.

